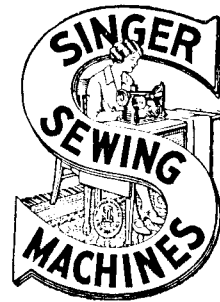


Form 8463 Revised
April, 1930
PRINTED IN U. S. A.

LIST OF PARTS



MACHINES

Nos. 81-3 and 81-4

THE SINGER MANUFACTURING COMPANY

8463-1

From the library of: Diamond Needle Corp

COPYRIGHT, U. S. A., 1916, 1918, 1922, 1923 and 1926
BY THE SINGER MANUFACTURING COMPANY
ALL RIGHTS RESERVED FOR ALL COUNTRIES

INDEX

	PAGE
ACCESSORIES	5
FITTINGS FOR 81-3 MACHINE.....	15
FOOT LIFTER PARTS	17
KNIFE GRINDER.....	18
KNEE LIFTER PARTS.....	18
MACHINE BASE.....	19
MACHINE NO. 81-3.....	7
" " 81-4.....	11
NUMERICAL LIST OF PARTS.....	21
OBSOLETE PARTS.....	20
THREAD UNWINDER.....	19

From the library of: **Neale Corp**

INSTRUCTIONS FOR ORDERING

In ordering from this list, use **ONLY** the part NUMBER in the **FIRST** column.

The number stamped on a Sewing Machine part is in every case the number of the single part only.

Every combination of parts sent out as such has its specific number, which, although not stamped on the parts, must be used when ordering the combination.

Each number always indicates the **SAME PART** in whatever list it appears, or for whatever machine.

The letters after some of the numbers indicate the style of finish only, as follows:

- A—Hardened, Polished, Nickel Plated and Buffed
- B—Polished, Nickel Plated and Buffed
- C—Hardened Only
- D—Polished Only
- E—Soft, Not Polished
- F—Hardened and Polished
- H—Blued
- J—Nickel Plated Only
- K—Hardened and Nickel Plated
- L—Brass Plated
- M—Oxidized
- N—Japanned, Dull
- P—Japanned, Bright
- R—Merlized
- T—Copper Plated
- T. A.—Hardened, Polished, Copper and Nickel Plated and Buffed
- T. B.—Copper and Nickel Plated and Polished
- T. J.—Copper and Nickel Plated Only
- T. K.—Hardened, Copper and Nickel Plated
- T. M.—Copper Plated and Oxidized
- T. L.—Copper and Brass Plated
 - U—Zinc Plated
 - V—Silver Plated
 - W—Polished and Nickel Plated
 - Z—Chromium Plated
- Z. B.—Polished, Nickel Plated, Buffed and Chromium Plated
- Z. J.—Nickel and Chromium Plated

These letters **MUST BE USED** when they appear in the list; and **AFTER** the number **as** in the list.

In this series:

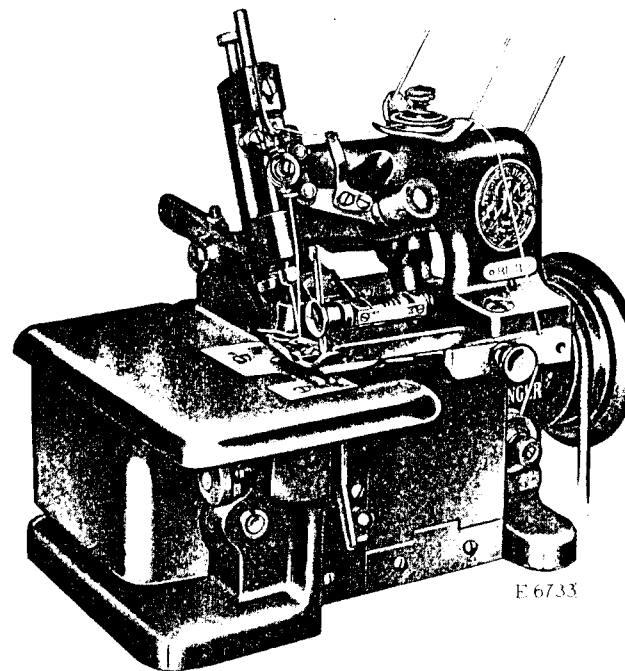
- 1 to 1500 and 50001 to 51500 are Screw Numbers
- 1501 to 1800 and 51501 to 51800 are Nut Numbers
- 1801 to 2000 and 51801 to 52000 are Roller Numbers
- 2001 to 50000 and 52001 and upward are numbers of Machine Parts

The figures in the second column refer only to the plates, illustrating the parts, and are **NOT TO BE USED** in ordering.

Parts marked with an asterisk (*) are furnished only when repairs are made at factory.

LIST OF PARTS COMPLETE

FOR



E 6733

MACHINE No. 81-3

FOR TRIMMING, OVEREDGING AND CLOSING SEAMS IN KNIT GOODS. HAS AUXILIARY FEED TO PREVENT FULLING OR "BELLING" THE EDGES WHILE STITCHING. BIGHT ADJUSTABLE FROM $\frac{1}{8}$ INCH TO $\frac{3}{16}$ INCH. TWO THREAD STITCH. FOOT LIFTER.

NO.	PLATE	NAME
*42484	—	Arm with two each 462c, 624c, 42253 and 42487.....
4389	5585	Arm Dowel Pin.....
949E	5587	" Screw.....
42001	5576	Balance Wheel, $2\frac{3}{16}$ in. pulley, with 424c and 1351c.....
1354c	5587	Balance Wheel Position Screw.....
424c	5587	" " Set Screw.....

From the library of: Diamond Needle Corp

NO.	PLATE	NAME
42145	5577	Cloth Plate.....
42003	5577	" " Extension (lower).....
229E	5587	" " " " Screw.....
42108	5577	" " " (upper).....
229E	5587	" " " " Screw.....
42005	5577	" " Lock Spring.....
236C	5587	" " " " Screw.....
42146	—	Cloth Plate complete, Nos. 42003, 42005, 42108, 42145, two 236c and five 229E..
1437D	5587	Cloth Plate Hinge Screw.....
1655E	5587	" " " " Nut.....
42147	5557	Feed (back) Bar.....
61C	5557	" " " Hinge Screw.....
42148	5557	" " Connecting Link.....
1132C	5557	" " " " Hinge Screw
42149	5533	" " Dog, 3 teeth (16 teeth to the inch).....
203D	5587	Feed (back) Dog Screw.....
42150	5557	" " Regulator.....
1132C	5557	" " " Hinge Screw.....
190B	5557	" " " Set Screw.....
1444C	5557	" " " Thumb Screw....
42151	5557	" (front) Bar with 1253c.....
42007	5578	" " " Hinge Pin.....
1253C	5587	" " " " " Set Screw...
42008	5578	" " Connecting Rod with 42009 and two 1057E.....
*42009	—	Feed (front) Connecting Rod Cap.....
1057E	5578	" " " " " Screw.....
1373C	5578	" " " " " Hinge Screw
1520C	5578	" " " " " " "
		Nut.....
42152	5533	Feed (front) Dog, 17 teeth (16 teeth to the inch).....
190B	5557	Feed (front) Dog Screw.....
42011	5578	" " Eccentric with two 453c....
42153	5577	" " " Cover.....
207D	5587	" " " " Screw.....
453C	5578	" " " Set Screw.....
42012	5578	" " Lifting Eccentric with two 462c.....
42013	5578	Feed (front) Lifting Eccentric Connection
462C	5544	" " " " Set Screw.....
1374C	5578	" " Regulating Screw Stud.....
1680C	5578	" " " " " Nut.....
42290	5578	Feed (front) Regulating Screw Stud Washer.....

NO.	PLATE	NAME
42014	5579	Feed (front) Regulator with 233D and two 1259c.....
42015	5578	Feed (front) Regulator Connection with 1012E.....
1012E	5578	Feed (front) Regulator Connection Ad- justing Screw.....
1373C	5578	Feed (front) Regulator Connection Hinge Screw.....
1520C	5578	Feed (front) Regulator Connection Hinge Screw Nut.....
42016	5579	Feed (front) Regulator Hinge Stud.....
42017	5580	" " " Indicator.....
42018	5580	" " " " " Plate
337D	5580	" " " " " "
		Screw.....
207D	5587	Feed (front) Regulator Indicator Screw..
1259C	5579	" " " Set Screw.....
233D	5579	" " " Stop Screw.....
42154	5557	" " Rock Shaft.....
42155	—	Feed (front) Rock Shaft complete, Nos. 42021 and 42154.....
42021	5578	Feed (front) Rock Shaft Crank with 157E
157E	5578	" " " " " Clamping Screw.....
42098	5579	Feed (front) Rock Shaft Hinge Pin.....
42079	5579	" " " " " " " Bush- ing.....
1036C	5579	Feed (front) Rock Shaft Hinge Pin Bush- ing Set Screw.....
*42022	—	Frame.....
42023	5576	" Rotary Shaft.....
42024	5576	" " " Bushing (front).....
1036C	5579	" " " " " " Set Screw.....
42025	5579	Frame Rotary Shaft Crank with 1259c and 1375c.....
1375C	5579	Frame Rotary Shaft Crank Position Screw
1259C	5579	" " " " " Set Screw....
42026	5576	" " " Flanged Bushing (back) with 54967.....
54967	5585	Frame Rotary Shaft Flanged Bushing (back) Oil Pad (braided cotton).....
1036C	5579	Frame Rotary Shaft Flanged Bushing (back) Set Screw.....
42367	5585	Frame Rotary Shaft Front Bearing Oil Pad (braided cotton).....

NO.	PLATE	NAME	
42027	5577	Frame Side Cover (left) with 19045.....	
19045	5585	" " " " Handle.....	
330w	5587	" " " " Screw.....	
42028	5577	" " " (right) hinged.....	
42101	5580	" " " " Lock Spring...	
330w	5587	" " " " Screw.....	
42029	5576	" Top Cover.....	
42030	5580	" " " Extension.....	
42102	5582	" " " " Holder	
283w	5582	" " " " "	
		Thumb Screw.....	
2749	5582	Frame Top Cover Extension Holder	
		Thumb Screw Washer.....	
176D	5580	Frame Top Cover Extension Screw.....	
742F	5587	" " " Screw.....	
42111	5581	Knife (movable).....	
		NOTE: Two 42111 are sent with this machine.	
42112	5581	Knife (movable) Gib.....	
42035	5581	" " Holder.....	
42113	---	" " " 42035 with 133F,	
		42037, 42040, 42112 and two 404D....	
42037	5581	Knife (movable) Holder Cap.....	
404D	5581	" " " " Screw.....	
42038	5581	" " " Guide with 336F.	
42039	5581	" " " " Plate....	
621D	5581	" " " " " Screw	
336F	5581	" " " " Set Screw..	
133F	5581	" " " Screw.....	
42040	5581	" " " " Extension	
		Pin.....	
42041	5581	Knife (movable) Holder Spring.....	
42042	5581	" " Lever.....	
42043	5581	" " " Connection with	
		42044 and two 175E.....	
*42044	---	Knife (movable) Lever Connection Cap	
175E	5581	" " " " " "	
		Screw.....	
1373c	5578	Knife (movable) Lever Connection Hinge	
		Screw.....	
1520c	5578	Knife (movable) Lever Connection Hinge	
		Screw Nut.....	
42045	5582	Knife (movable) Lever Hinge Stud.....	
1229c	5586	" " " " " Set	
		Screw.....	
42046	5580	Knife (stationary) with 42049.....	

NOTE: Two No. 42046 are sent with this machine.

NO.	PLATE	NAME	
42048	5581	Knife (stationary) Clamping Stud.....	
1534w	5581	" " " " Thumb	
		Nut.....	
42156	5580	Knife (stationary) Holder.....	
1376c	5587	" " " Regulating	
		Thumb Screw.....	
1101c	5587	Knife (stationary) Holder Screw.....	
440F	5580	" " " Stop Screw....	
1547J	5584	" " " " " Nut	
42049	5580	" " Stud.....	
42114	5582	Looper (left hand).....	
42051	5579	" " " Lever with 209H.....	
42052	5579	" " " " Connecting Link	
50562c	7396	" " " " "	
		Hinge Screw.....	
1520c	5578	Looper (left hand) Lever Connecting Link	
		Hinge Screw Nut.....	
42053	5579	Looper (left hand) Lever Hinge Stud....	
1036c	5579	" " " " " " Set	
		Screw.....	
209H	5579	Looper (left hand) Set Screw.....	
42166	5582	" (right hand).....	
42073	5582	" " " and Spreader Lever	
		with 1259c.....	
42074	5582	Looper (right hand) and Spreader Lever	
		Ball Stud.....	
1259c	5579	Looper (right hand) and Spreader Lever	
		Ball Stud Set Screw.....	
42075	5582	Looper (right hand) and Spreader Lever	
		Connection with 42059, 42076 and four	
		896E.....	
*42076	---	Looper (right hand) and Spreader Lever	
		Connection Cap (lower).....	
896E	7396	Looper (right hand) and Spreader Lever	
		Connection Cap (lower) Screw.....	
*42059	---	Looper (right hand) and Spreader Lever	
		Connection Cap (upper).....	
896E	7396	Looper (right hand) and Spreader Lever	
		Connection Cap (upper) Screw.....	
42077	5584	Looper (right hand) and Spreader Lever	
		Connection Guide.....	
171F	5544	Looper (right hand) and Spreader Lever	
		Connection Guide Screw.....	
42106	5584	Looper (right hand) and Spreader Lever	
		Connection Oil Tube and Bracket with	
		29599.....	

NO.	PLATE	NAME
29599	5584	Looper (right hand) and Spreader Lever Connection Oil Tube Packing (felt)....
42078	5584	Looper (right hand) and Spreader Lever Hinge Pin.....
42079	5579	Looper (right hand) and Spreader Lever Hinge Pin Bushing.....
1259c	5579	Looper (right hand) and Spreader Lever Hinge Pin Bushing Set Screw.....
197D	5582	Looper (right hand) Screw.....
42054	5544	Needle Bar.....
42253	5544	" " Bushing.....
462c	5544	" " " Set Screw.....
42061	5544	" " Connecting Bracket with 187D and 223F.....
187D	5544	Needle Bar Connecting Bracket Clamping Screw.....
42055	5544	Needle Bar Connecting Link.....
40247	5544	" " " " Hinge Pin
223F	5544	" " " " " "
		Set Screw for 42061.....
904c	5544	Needle Bar Connecting Link Hinge Pin Set Screw for 42104.....
42057	5544	Needle Bar Connecting Rod with 42059, 42076 and four 896E.....
*42076	—	Needle Bar Connecting Rod Cap (lower)
896E	7396	" " " " " "
		Screw.....
*42059	—	Needle Bar Connecting Rod Cap (upper)
896E	7396	" " " " " "
		Screw.....
42077	5584	Needle Bar Connecting Rod Guide.....
171F	5544	" " " " " Screw
42103	5544	" " Crank (back) with 1258c and two 1259c.....
42074	5582	Needle Bar Crank (back) Ball Stud.....
1259c	5579	" " " " " " Set Screw.....
1259c	5579	Needle Bar Crank (back) Position Screw.....
1258c	5544	" " " " " Set Screw.....
42104	5544	" " " (front) with 904c, 1258c and 1259c.....
1259c	5579	Needle Bar Crank (front) Position Screw.....
1258c	5544	" " " " " Set Screw.....
42105	5544	" " " Shaft.....
42487	7396	" " " " Bushing.....
624c	7396	" " " " " Set Screw

NO.	PLATE	NAME
42115	5544	Needle Bar Thread Retainer Bracket
228D	5544	" " " " " "
		Screw.....
42483	7396	Needle Bar Thread Retainer Disc.....
93c	5544	" " " " " Screw.....
10107	5544	" " " " " Spring.....
1728c	5544	" Clamping Nut.....
42066	5544	" Guard.....
171F	5544	" " Screw.....
42157	—	Presser Foot Body.....
42158	5599	" " Chaining-off Finger (narrow bight).....
42190	5599	Presser Foot Chaining-off Finger (wide bight).....
42288	5599	Presser Foot Chaining-off Finger for $\frac{1}{8}$ in. bight.....
233D	5579	Presser Foot Chaining-off Finger Screw..
9320	5585	" " Hinge Pin.....
42159	—	" " Plate.....
14058	5585	" " Spring.....
42160	5585	" " " Adjusting Pin.....
464c	5587	" " " " " Set Screw.....
42161	5599	Presser Foot (spring hinged) complete for 42149 and 42152, Nos. 233D, 464c, 9320, 11058 and 42157 to 42160.....
1324c	5587	Presser Foot Screw.....
39541	5586	" " " Washer.....
42069	5576	" Lever.....
42045	5582	" " Hinge Stud.....
1120c	5582	" " " " " Set Screw.....
42070	5584	" " Lifter.....
85D	5584	" " " Hinge Screw.....
1377c	5584	" " Screw Stud (eccentric).....
1547J	5584	" " " " Nut.....
42071	5584	" " Spring.....
1378D	5584	Pressure Regulating Thumb Screw.....
42072	5584	Spreader.....
197D	5580	" Screw.....
2102	5585	Tension (looper, left hand) Disc.....
1560c	5585	" " " " " Regulating Thumb Nut.....
828c	5585	Tension (looper, left hand) Screw Stud
42418	—	" " " " " " "
		828c with 1560c.....
42121	5581	Tension (looper, left hand) Spring.....

NO.	PLATE	NAME
42090	5566	Threading Wire.....
120341	5566	Tweezers (curved).....
42089	5566	Wrench for 1324, 1374 and 1629.....
8908	5566	“ “ 1520 and 1655.....
4822	5566	“ “ 1547.....

FITTINGS

FOR 81-3 MACHINE

FOR BALBRIGGAN

NO.	PLATE	NAME
42149	5533	Feed (back) Dog, 3 teeth (16 teeth to the inch).....
42262	5533	Feed (front) Dog, 21 teeth (16 teeth to the inch).....
42158	5599	Presser Foot Chaining-off Finger (narrow bight).....
42190	5599	Presser Foot Chaining-off Finger (wide bight).....
42288	5599	Presser Foot Chaining-off Finger, for $\frac{1}{16}$ in. bight.....
233D	5579	Presser Foot Chaining-off Finger Screw..
42159	—	“ “ Plate (back).....
9320	5585	“ “ “ “ Hinge Pin.....
14058	5585	“ “ “ “ Spring.....
42160	5585	“ “ “ “ “ Adjusting Pin.....
464C	5587	Presser Foot Plate (back) Spring Adjusting Pin Set Screw.....
42263	—	Presser Foot Plate (front).....
42461	7396	“ “ “ “ Hinge Pin.....
42264	—	“ “ Shank.....
42265	5599	Presser Foot (spring hinged) complete, Nos. 233D, 464C, 9320, 14058, 42158 to 42160, 42263, 42264 and 42461.....
42164	5533	Throat Plate for 42149 and 42262.....

FOR LIGHT AND MEDIUM WEIGHT KNIT GOODS

NO.	PLATE	NAME
42149	5533	Feed (back) Dog, 3 teeth (16 teeth to the inch).....
42152	5533	Feed (front) Dog, 17 teeth (16 teeth to the inch).....

NO.	PLATE	NAME
42157	—	Presser Foot Body.....
42158	5599	“ “ Chaining-off Finger (narrow bight).....
42190	5599	Presser Foot Chaining-off Finger (wide bight).....
42288	5599	Presser Foot Chaining-off Finger for $\frac{1}{16}$ in. bight.....
233D	5579	Presser Foot Chaining-off Finger Screw..
9320	5585	“ “ Hinge Pin.....
42159	—	“ “ Plate.....
14058	5585	“ “ Spring.....
42160	5585	“ “ “ “ Adjusting Pin.....
464C	5587	“ “ “ “ “ “ Set Screw.....
42161	5599	Presser Foot (spring hinged) complete, Nos. 233D, 464C, 9320, 14058 and 42157 to 42160.....
42163	5533	Throat Plate for 42149 and 42152.....

FOOT LIFTER PARTS

NO.	PLATE	NAME
6439	—	Chain, 36 in. to 45 in., with 56864 and 56865.....
NOTE: When ordering No. 6439 state length required.		
4879	5566	Chain Connecting Link.....
56864	5566	“ Hook (large).....
56865	7396	“ “ (small).....
42130	5586	Lifting Lever.....
42131	5586	“ “ Bracket.....
1229C	5586	“ “ “ Screw.....
1301D	5586	“ “ Hinge Screw.....
42132	5586	“ “ Spring.....
1148F	5586	“ “ Stop Screw.....
1517J	5584	“ “ “ “ Nut.....
4881	5564	Treadle.....
4882	5566	“ Shaft.....
4883	5566	“ Spring.....
4884	5564	“ Stand.....
4885	5564	Treadle complete, Nos. 4879, 4881 to 4884 and two wood screws 1 in. No. 16.....
42133	—	Foot Lifter complete, Nos. 1301D, 4885, 6439, 42130 to 42132 and two each 1148F, 1229C and 1517J.....

KNEE LIFTER PARTS

NO.	PLATE	NAME
42130	5586	Lifting Lever.....
42131	5586	“ “ Bracket.....
1229c	5586	“ “ “ Screw.....
42142	5564	“ “ Connecting Rod.....
1301D	5586	“ “ Hinge Screw.....
42132	5586	“ “ Spring.....
1148F	5586	“ “ Stop Screw.....
1547J	5584	“ “ “ “ Nut.....
2763	5564	Rock Shaft.....
12242	5564	“ “ Hanger with two wood screws 1 in. No. 10.....
2765	5564	Rock Shaft Knee Arm.....
2766	5564	“ “ “ “ Hub with 356c... 356c 5587 “ “ “ “ “ Set Screw...
2768	—	Rock Shaft Knee Arm complete, Nos. 2765 to 2767.....
2767	5564	Rock Shaft Knee Plate with 356c..... 356c 5587 “ “ “ “ Set Screw.....
6337	5564	“ “ Lifting Bracket with two 356c
7125	5564	“ “ “ “ Hook..... 356c 5587 “ “ “ “ “ Set Screw...
356c	5587	“ “ “ “ “ Set Screw....
2770	5564	“ “ Stop Dog with 356c..... 356c 5587 “ “ “ “ Set Screw.....
42143	5564	Rock Shaft complete, Nos. 2763, 2768, 6337, 7125 and two each 2770 and 12242
42144	—	Knee Lifter complete, Nos. 1301D, 42130 to 42132, 42142, 42143 and two each 1148F, 1229c and 1547J.....

KNIFE GRINDER

NO.	PLATE	NAME
41326	5568	Emery Wheel.....
1508c	5569	“ “ Clamping Nut.....
41327	5568	“ “ Shaft.....
41328	5568	“ “ “ Pulley with 1036c... 1036c 5569 “ “ “ “ Set Screw....
41513	5569	“ “ Washer.....
41329	5567	Frame with 1036c.....
878D	5569	“ Oil Hole Stop Screw.....

KNIFE GRINDER

NO.	PLATE	NAME
41330	5568	Knife Holder with two 14222.....
41331	5568	“ “ Bracket with 157E..... 157E 5569 “ “ “ Clamping Screw...
42065	5569	“ “ “ Hinge Stud..... 1036c 5569 “ “ “ “ Set Screw
717c	5569	“ “ “ Stop Screw..... 1520J 5569 “ “ “ “ “ Nut...
41333	5569	“ “ Clamp.....
41334	5569	“ “ “ Spring.....
14222	5569	“ “ “ Steady Pin..... 771D 5569 “ “ “ Thumb Screw..... 970B 5569 “ “ Regulating Thumb Screw...
313c	5569	“ “ Screw Centre.....
1519J	5569	“ “ “ “ Nut.....
41332	5569	“ “ Spring.....
41335	—	Knife Grinder complete, Nos. 717c, 970B, 1508c, 1520J, 41326 to 41332, 42065, two each 313c, 771D, 878D, 1519J, 41333, 41334, 41513 and three wood screws 1 1/4 in. No. 12.....

MACHINE BASE

NO.	PLATE	NAME
42086	5564	Machine Base with three wood screws 1 1/4 in. No. 12 and four each 935E, 4718, 42088 and 66707.....
4718	5586	Machine Base Cushion (felt).....
42088	5586	“ Cushion (felt).....
935E	5586	“ “ Screw.....
66707	7396	“ “ “ Washer.....

THREAD UNWINDER

FOR THREE SPOOLS

NO.	PLATE	NAME
225389	7165	Spool Rest (for one spool) with 201018c..
225395	7165	“ “ (for two spools) with 201018c
225388	7165	“ “ Rod.....
200383c	7396	“ “ “ Set Screw.....
201018c	7396	“ “ Set Screw.....
202490	7165	“ Stand with 200383c.....

NO.	PLATE	NAME
225391	7165	Thread Guide.....
201696J	7396	“ “ Lock Nut.....
225392	7165	“ “ Rod with 208E and 225393
	208E 5587	“ “ “ Screw.....
225393	7396	“ “ “ Washer.....
225397	7165	Thread Unwinder complete, Nos. 201696J, 202490, 225388, 225389, 225392, 225395, three 225391 and wood screws $\frac{7}{8}$ in. No. 12.....
27739	7234	Thread Cone (wood) for large cones.....
225390	7234	“ “ Holder, for inverted cones.....

NOTE: Nos. 27739 and 225390 are used with,
but not included in 225397

OBSOLETE PARTS

NO.	PLATE	NAME
*42251	—	Arm with two each 462c and 42253.....
42175	5583	Knife (stationary) Holder Regulating Lever Indicator for 81-4 Machine.....
213F	5583	Knife (stationary) Holder Regulating Lever Indicator Screw for 81-4 Machine
378c	5579	Looper (left hand) Lever Connecting Link Hinge Screw.....
10106	5544	Needle Bar Thread Retainer Disc.....
2532	5599	Presser Foot Plate (front) Hinge Pin for 42265.....
42083	5585	Thread (looper, left hand) Eyelet.....

Genuine Singer Needles and their Containers are marked with the Company's Trade Mark "SIMANCO." 1

Needles in Containers marked "For Singer Machines" are not Singer made needles. 2

NUMERICAL LIST OF PARTS

NO.	PLATE	NAME
35c	5583	Knife (stationary) Holder Screw for 81-4 Machine.....
61c	5557	Feed (back) Bar Hinge Screw.....
85d	5584	Presser Lever Lifter Hinge Screw.....
93c	5544	Needle Bar Thread Retainer Screw.....
104c	5599	Presser Foot Chaining-off Finger Regulating Lever Hinge Screw for 42181.....
133F	5581	Knife (movable) Holder Screw for 42113.
157E	5578	Feed (front) Rock Shaft Crank Clamping Screw for 42021.....
157E	5569	Knife Grinder Knife Holder Bracket Clamping Screw for 41331.....
171F	5544	Looper (right hand) and Spreader Lever Connection Guide Screw.....
171F	5544	Needle Bar Connecting Rod Guide Screw
171F	5544	“ Guard Screw.....
175E	5581	Knife (movable) Lever Connection Cap Screw for 42043.....
176d	5580	Frame Top Cover Extension Screw.....
187d	5544	Needle Bar Connecting Bracket Clamping Screw for 42061.....
190d	5557	Feed (back) Regulator Set Screw.....
190d	5557	“ (front) Dog Screw.....
190d	5557	Thread (looper, right hand) Staple Screw
197d	5582	Looper (right hand) Screw.....
197d	5580	Spreader Screw.....
197d	5580	Thread (looper, right hand) Take-up Screw
197d	5580	“ (needle) Take-up Screw.....
203d	5587	Feed (back) Dog Screw.....
207d	5587	“ (front) Eccentric Cover Screw.....
207d	5587	“ “ Regulator Indicator Screw..
208E	5587	Thread Unwinder Thread Guide Rod Screw for 225392.....
209H	5579	Looper (left hand) Set Screw for 42051..
213F	5583	Knife (stationary) Regulating Lever In- dicator Screw for 81-4 Machine, obsolete
213F	5583	Knife (stationary) Holder Regulating Lever Latch Bracket Screw for 81-4 Machine.....
217d	5585	Thread (needle) Eyelet Screw.....
223F	5544	Needle Bar Connecting Link Hinge Pin Set Screw for 42061.....
228d	5544	Needle Bar Thread Retainer Bracket Screw

NO. PLATE	NAME
229E 5587	Cloth Plate Extension (lower) Screw for 42146.....
229E 5587	Cloth Plate Extension (upper) Screw for 42146.....
233D 5579	Feed (front) Regulator Stop Screw for 42014.....
233D 5579	Presser Foot Chaining-off Finger Screw for 42161 and 42265.....
233D 5579	Thread (looper, left hand) Eyelet Screw.
236C 5587	Cloth Plate Lock Spring Screw for 42146
236F 5583	Knife (stationary) Holder Regulating Lever Indicator Screw for 81-4 Machine
283W 5582	Frame Top Cover Extension Holder Thumb Screw.....
313C 5569	Knife Grinder Knife Holder Screw Centre for 41335.....
330W 5587	Frame Side Cover (left) Screw.....
330W 5587	“ “ “ (right) Screw.....
336F 5581	Knife (movable) Holder Guide Set Screw for 42038.....
337D 5580	Feed (front) Regulator Indicator Plate Screw.....
356C 5587	Rock Shaft Knee Arm Hub Set Screw for 2766.....
356C 5587	Rock Shaft Knee Plate Set Screw for 2767.
356C 5587	“ “ Lifting Bracket Hook Set Screw for 6337.....
356C 5587	Rock Shaft Lifting Bracket Set Screw for 6337.....
356C 5587	Rock Shaft Stop Dog Set Screw for 2770.
378C 5579	Looper (left hand) Lever Connecting Link Hinge Screw, obsolete.....
404D 5581	Knife (movable) Holder Cap Screw for 42113.....
424C 5587	Balance Wheel Set Screw for 42001.....
440F 5580	Knife (stationary) Holder Stop Screw....
453C 5578	Feed (front) Eccentric Set Screw for 42011
462C 5544	“ “ Lifting Eccentric Set Screw for 42012.....
462C 5544	Needle Bar Bushing Set Screw for 42251 and 42484.....
462C 5544	Thread (looper, left hand) Tube Set Screw
464C 5587	Presser Foot Plate (back) Spring Adjusting Pin Set Screw for 42265.....
464C 5587	Presser Foot Spring Adjusting Pin Set Screw for 42161 and 42181.....

NO. PLATE	NAME
621D 5581	Knife (movable) Holder Guide Plate Screw
624C 7396	Needle Bar Crank Shaft Bushing Set Screw for 42181.....
717C 5569	Knife Grinder Knife Holder Bracket Stop Screw for 41335.....
742F 5587	Frame Top Cover Screw.....
742F 5587	Throat Plate Screw.....
771D 5569	Knife Grinder Knife Holder Clamp Thumb Screw for 41335.....
828C 5585	Tension (looper, left hand) Screw Stud for 42418.....
828C 5585	Tension (looper, right hand) Screw Stud for 42418.....
878D 5569	Knife Grinder Frame Oil Hole Stop Screw for 41335.....
896E 7396	Looper (right hand) and Spreader Lever Connection Cap (lower) Screw for 42075
896E 7396	Looper (right hand) and Spreader Lever Connection Cap (upper) Screw for 42075
896E 7396	Needle Bar Connecting Rod Cap (lower) Screw for 42057.....
896E 7396	Needle Bar Connecting Rod Cap (upper) Screw for 42057.....
901C 5514	Needle Bar Connecting Link Hinge Pin Set Screw for 42104.....
916C 5585	Tension (needle thread) Screw Stud for 44209.....
935D 5586	Machine Cushion Screw for 42086.....
949E 5587	Arm Screw.....
970D 5569	Knife Grinder Knife Holder Regulating Thumb Screw for 41335.....
1012E 5578	Feed (front) Regulator Connection Adjusting Screw for 42015.....
1036C 5579	Feed (front) Rock Shaft Hinge Pin Bushing Set Screw.....
1036C 5579	Frame Rotary Shaft Bushing (front) Set Screw.....
1036C 5579	Frame Rotary Shaft Flanged Bushing (back) Set Screw.....
1036C 5569	Knife Grinder Emery Wheel Shaft Pulley Set Screw for 41328.....
1036C 5569	Knife Grinder Knife Holder Bracket Hinge Stud Set Screw for 41329.....
1036C 5579	Looper (left hand) Lever Hinge Stud Set Screw.....
1057E 5578	Feed (front) Connecting Rod Cap Screw for 42008.....

NO.	PLATE	NAME
1101c	5587	Knife (stationary) Holder Screw for 81-3 Machine.....
1120c	5582	Presser Lever Hinge Stud Set Screw.....
1132c	5557	Feed (back) Connecting Link Hinge Screw
1132c	5557	“ “ Regulator Hinge Screw.....
1148F	5586	Lifting Lever Stop Screw for 42133 and 42144.....
1229c	5586	Knife (movable) Lever Hinge Stud Set Screw.....
1229c	5586	Lifting Lever Bracket Screw for 42133 and 42144.....
1240F	5583	Knife (stationary) Holder Regulating Lever Latch Hinge Screw for 81-4 Machine.....
1250F	5583	Knife (stationary) Holder Regulating Lever Slide Block Screw Stud for 81-4 Machine.....
1253c	5587	Feed (front) Bar Hinge Pin Set Screw for 42151.....
1258c	5544	Needle Bar Crank (back) Set Screw for 42103.....
1258c	5544	Needle Bar Crank (front) Set Screw for 42104.....
1259c	5579	Feed (front) Regulator Set Screw for 42014
1259c	5579	Frame Rotary Shaft Crank Set Screw for 42025.....
1259c	5579	Looper (right hand) and Spreader Lever Ball Stud Set Screw for 42073.....
1259c	5579	Looper (right hand) and Spreader Lever Hinge Pin Bushing Set Screw.....
1259c	5579	Needle Bar Crank (back) Ball Stud Set Screw for 42103.....
1259c	5579	Needle Bar Crank (back) Position Screw for 42103.....
1259c	5579	Needle Bar Crank (front) Position Screw for 42104.....
1301D	5586	Lifting Lever Hinge Screw for 42133 and 42144.....
1324c	5587	Presser Foot Screw.....
1354c	5587	Balance Wheel Position Screw for 42001.
1373c	5578	Feed (front) Connecting Rod Hinge Screw
1373c	5578	“ “ Regulator Connection Hinge Screw.....
1373c	5578	Knife (movable) Lever Connection Hinge Screw.....
1374c	5578	Feed (front) Regulating Screw Stud.....

NO.	PLATE	NAME
1375c	5579	Frame Rotary Shaft Crank Position Screw for 42025.....
1376c	5587	Knife (stationary) Holder Regulating Thumb Screw for 81-3 Machine.....
1377c	5584	Presser Lever Screw Stud (eccentric).....
1378D	5584	Pressure Regulating Thumb Screw.....
1407E	5563	Machine Base Thumb Screw, for 3 in. table (Accessories).....
1408E	5563	Machine Base Thumb Screw, for 2 in. table (Accessories).....
1437D	5587	Cloth Plate Hinge Screw.....
1444c	5557	Feed (back) Regulator Thumb Screw....
1508c	5569	Knife Grinder Emery Wheel Clamping Nut for 41335.....
1519J	5569	Knife Grinder Knife Holder Screw Centre Nut for 41335.....
1520c	5578	Feed (front) Connecting Rod Hinge Screw Nut.....
1520c	5578	Feed (front) Regulator Connection Hinge Screw Nut.....
1520c	5578	Knife (movable) Lever Connection Hinge Screw Nut.....
1520c	5578	Looper (left hand) Lever Connecting Link Hinge Screw Nut.....
1520J	5569	Knife Grinder Knife Holder Bracket Stop Screw Nut for 41335.....
1534W	5581	Knife (stationary) Clamping Stud Thumb Nut.....
1547J	5584	Knife (stationary) Holder Stop Screw Nut
1547J	5584	Lifting Lever Stop Screw Nut for 42133 and 42144.....
1547J	5584	Presser Lever Screw Stud Nut.....
1560c	5585	Tension (looper, left hand) Regulating Thumb Nut for 42418.....
1560c	5585	Tension (looper, right hand) Regulating Thumb Nut for 42418.....
1560c	5585	Tension (needle thread) Regulating Thumb Nut for 41209.....
1629c	----	Needle Clamping Nut, obsolete, use 1728c
1655E	5587	Cloth Plate Hinge Screw Nut.....
1680c	5578	Feed (front) Regulating Screw Stud Nut.
1728c	5544	Needle Clamping Nut.....
2102	5585	Tension (looper, left hand) Disc.....
2102	5585	“ (looper, right hand) Disc.....
2102	5585	“ (needle thread) Disc.....
2532	5599	Presser Foot Plate (front) Hinge Pin for 42265, obsolete.....

NO.	PLATE	NAME
2749	5582	Frame Top Cover Extension Holder Thumb Screw Washer.....
2763	5564	Rock Shaft for 42143.....
Nos. 2765 TO 2767 FOR 2768		
2765	5564	Rock Shaft Knee Arm.....
2766	5564	" " " " Hub with 356c....
2767	5564	" " " " Plate with 356c.....
2768	—	Rock Shaft Knee Arm complete, for 42143, Nos. 2765 to 2767.....
2770	5564	Rock Shaft Stop Dog with 356c, for 42143
4389	5585	Arm Dowel Pin.....
4718	5586	Machine Base Cushion (felt) for 42086...
4822	5566	Wrench for 1547 (Accessories).....
4879	5566	Chain Connecting Link for 4885.....
Nos. 4881 TO 4884 FOR 4885		
4881	5564	Treadle.....
4882	5566	" Shaft.....
4883	5566	" Spring.....
4884	5564	" Stand.....
4885	5564	Treadle complete, for 42133, Nos. 4879, 4881 to 4884 and two wood screws 1 in. No. 16.....
6337	5564	Rock Shaft Lifting Bracket with two 356c, for 42143.....
6439	—	Chain, 36 in. to 45 in., with 56864 and 56865, for 42133.....
7125	5564	Rock Shaft Lifting Bracket Hook for 42143
8908	5566	Wrench for 1520 and 1655 (Accessories).
9320	5585	Presser Foot Hinge Pin for 42161 and 42181.....
9320	5585	Presser Foot Plate (back) Hinge Pin for 42265.....
9842	5586	Machine Base Thumb Screw Spring Washer (Accessories).....
10106	5544	Needle Bar Thread Retainer Disc, obsolete
10107	5544	" " " " Spring.....
10148	5585	Tension (looper, right hand) Spring.....
10148	5585	" (needle thread) Spring.....
12242	5564	Rock Shaft Hanger with two wood screws 1 in. No. 10, for 42143.....
14058	5585	Presser Foot Plate (back) Spring for 42265
14058	5585	" " Spring for 42161 and 42181.
14063	5586	Machine Base Thumb Screw Spring (Ac- cessories).....

NO.	PLATE	NAME
14222	5569	Knife Grinder Knife Holder Clamp Steady Pin for 41330.....
17547	5585	Tension (looper, right hand) Thread Guide
19045	5585	Frame Side Cover (left) Handle for 42027
27739	7234	Thread Unwinder Thread Cone (wood) for large cones, for 225397.....
29599	5584	Looper (right hand) and Spreader Lever Connection Oil Tube Packing (felt) for 42106.....
39541	5586	Presser Foot Screw Washer.....
40247	5544	Needle Bar Connecting Link Hinge Pin
Nos. 41326 TO 41334 FOR 41335		
41326	5568	Knife Grinder Emery Wheel.....
41327	5568	" " " " Shaft.....
41328	5568	" " " " " Pulley with 1036c.....
41329	5567	Knife Grinder Frame with 1036c.....
41330	5568	" " Knife Holder with two 14222.....
41331	5568	Knife Grinder Knife Holder Bracket with 157e.....
41332	5569	Knife Grinder Knife Holder Spring.....
41333	5569	" " " " Clamp.....
41334	5569	" " " " " Spring
41335	—	Knife Grinder complete, Nos. 717c, 970b, 1508c, 1520r, 41326 to 41332, 42065, two each 313c, 771b, 878b, 1519r, 41333, 41334, 41513 and three wood screws 1¼ in. No. 12.....
41513	5569	Knife Grinder Emery Wheel Washer for 41335.....
42001	5576	Balance Wheel with 424c and 4354c....
42003	5577	Cloth Plate Extension (lower) for 42146.
42005	5577	" " Lock Spring for 42146.....
42007	5578	Feed (front) Bar Hinge Pin.....
42008	5578	" " Connecting Rod with 42009 and two 1057e.....
*42009	—	Feed (front) Connecting Rod Cap for 42008.....
42011	5578	Feed (front) Eccentric with two 453c....
42012	5578	" " Lifting Eccentric with two 462c.....
42013	5578	Feed (front) Lifting Eccentric Connection
42014	5579	" " Regulator with 233b and two 1259c.....

NO.	PLATE	NAME
42015	5578	Feed (front) Regulator Connection with 1012E.....
42016	5579	Feed (front) Regulator Hinge Stud.....
42017	5580	" " " Indicator.....
42018	5580	" " " " Plate...
42021	5578	" " Rock Shaft Crank with 157E, for 42155.....
*42022	----	Frame for 81-3 Machine.....
42023	5576	" Rotary Shaft.....
42024	5576	" " " Bushing (front).....
42025	5579	" " " Crank with 1259c and 1375c.....
42026	5576	Frame Rotary Shaft Flanged Bushing (back) with 54967.....
42027	5577	Frame Side Cover (left) with 19015.....
42028	5577	" " " (right) hinged.....
42029	5576	" Top Cover.....
42030	5580	" " " Extension.....
42035	5581	Knife (movable) Holder for 42113.....
42037	5581	" " " Cap for 42113...
42038	5581	" " " Guide with 336F
42039	5581	" " " Plate.....
42040	5581	" " " Screw Extension Pin for 42113.....
42041	5581	Knife (movable) Holder Spring.....
42042	5581	" " Lever.....
42043	5581	" " " Connection with 42044 and two 175W.....
*42014	----	Knife (movable) Lever Connection Cap for 42043.....
42045	5582	Knife (movable) Lever Hinge Stud.....
42045	5582	Presser Lever Hinge Stud.....
42046	5580	Knife (stationary) with 42049.....
42048	5581	" " Clamping Stud.....
42049	5580	" " Stud for 42046.....
42051	5579	Looper (left hand) Lever with 209n.....
42052	5579	" " " " Connecting Link
42053	5579	" " " " Hinge Stud....
42054	5544	Needle Bar.....
42055	5544	" " Connecting Link.....
42057	5544	" " " Rod with 42059, 42076 and four 896E.....
*42059	----	Looper (right hand) and Spreader Lever Connection Cap (upper) for 42075.....
*42059	----	Needle Bar Connecting Rod Cap (upper) for 42057.....

NO.	PLATE	NAME
42061	5544	Needle Bar Connecting Bracket with 187D and 223F.....
42065	5569	Knife Grinder Knife Holder Bracket Hinge Stud for 41335.....
42066	5544	Needle Guard.....
42069	5576	Presser Lever.....
42070	5584	" " Lifter.....
42071	5584	" " Spring.....
42072	5584	Spreader.....
42073	5582	Looper (right hand) and Spreader Lever with 1259c.....
42074	5582	Looper (right hand) and Spreader Lever Ball Stud.....
42074	5582	Needle Bar Crank (back) Ball Stud.....
42075	5582	Looper (right hand) and Spreader Lever Connection with 42059, 42076 and four 896E.....
*42076	----	Looper (right hand) and Spreader Lever Connection Cap (lower) for 42075.....
*42076	----	Needle Bar Connecting Rod Cap (lower) for 42057.....
42077	5584	Looper (right hand) and Spreader Lever Connection Guide.....
42077	5584	Needle Bar Connecting Rod Guide.....
42078	5584	Looper (right hand) and Spreader Lever Hinge Pin.....
42079	5579	Feed (front) Rock Shaft Hinge Pin Bushing.....
42079	5579	Looper (right hand) and Spreader Lever Hinge Pin Bushing.....
42082	5585	Tension (needle thread) Thread Guide...
42083	5585	Thread (looper, left hand) Eyelet, obsolete
42084	5585	" " " " Tube.....
42086	5564	Machine Base with three wood screws 1 1/4 in. No. 12 and four each 935D, 4718, 42088 and 66707.....
42088	5586	Machine Cushion (felt) for 42086.....
42089	5566	Wrench for 1324, 1374 and 1629 (Accessories).....
42090	5566	Threading Wire (Accessories).....
42093	5585	Thread (looper, right hand) Staple.....
42096	5585	" (needle) Eyelet.....
42098	5579	Feed (front) Rock Shaft Hinge Pin.....
42101	5580	Frame Side Cover (right) Lock Spring...
42102	5582	" Top Cover Extension Holder.....
42103	5544	Needle Bar Crank (back) with 1258c and two 1259c.....

NO.	PLATE	NAME
42104	5544	Needle Bar Crank (front) with 904c, 1258c and 1259c.....
42105	5544	Needle Bar Crank Shaft.....
42106	5584	Looper (right hand) and Spreader Lever Connection Oil Tube and Bracket with 29599.....
42108	5577	Cloth Plate Extension (upper) for 42146.
42111	5581	Knife (movable).....
42112	5581	“ “ Gib for 42113.....
42113	—	“ “ Holder 42035, with 133F, 42037, 42040, 42112 and two 40fd.....
42114	5582	Looper (left hand).....
42115	5544	Needle Bar Thread Retainer Bracket....
42121	5581	Tension (looper, left hand) Spring.....
42127	5585	Thread (looper, right hand) Take-up....
Nos. 42130 TO 42132 FOR 42133 AND 42144		
42130	5586	Lifting Lever.....
42131	5586	“ “ Bracket.....
42132	5586	“ “ Spring.....
42133	—	Foot Lifter complete, Nos. 1301b, 4885, 6439, 42130 to 42132 and two each 1148F, 1229c and 1547J.....
42142	5564	Lifting Lever Connecting Rod for 42144.
42143	5564	Rock Shaft complete, for 42144, Nos. 2763, 2768, 6337, 7125 and two each 2770 and 12242.....
42144	—	Knee Lifter complete, Nos. 1301b, 42130 to 42132, 42142, 42143 and two each 1148F, 1229c and 1547J.....
42145	5577	Cloth Plate for 42146.....
42146	—	Cloth Plate complete, Nos. 42003, 42005, 42108, 42145, two 236c and five 229E.
42147	5557	Feed (back) Bar.....
42148	5557	“ “ Connecting Link.....
42149	5533	“ “ Dog, 3 teeth (16 teeth to the inch).....
42150	5557	Feed (back) Regulator.....
42151	5557	“ (front) Bar with 1253c.....
42152	5533	“ “ Dog, 17 teeth (16 teeth to the inch).....
42153	5577	Feed (front) Eccentric Cover.....
42154	5557	“ “ Rock Shaft for 42155.....
42155	—	Feed (front) Rock Shaft complete, Nos. 42021 and 42154.....
42156	5580	Knife (stationary) Holder.....

NO.	PLATE	NAME
42157	—	Presser Foot Body for 42161.....
42158	5599	“ “ Chaining-off Finger (narrow bight) for 42161 and 42265.....
42159	—	Presser Foot Plate for 42161 and 42181..
42159	—	“ “ “ (back) for 42265.....
42160	5585	“ “ “ “ Spring Adjusting Pin for 42265.....
42160	5585	Presser Foot Spring Adjusting Pin for 42161 and 42181.....
42161	5599	Presser Foot (spring hinged) complete, for 42149 and 42152, for 81-3 Machine, Nos. 233b, 464c, 9320, 14058 and 42157 to 42160.....
42162	5580	Thread (needle) Take-up.....
42163	5533	Throat Plate for 42149, 42152 and 42262, for general knit goods, for 81-3 Machine
42164	5533	Throat Plate for 42149, 42152 and 42262, for narrow bight on ballbrigan and closely woven goods.....
42166	5582	Looper (right hand).....
*42173	—	Frame for 81-4 Machine.....

Nos. 42175 TO 42177 FOR 81-4 MACHINE

42175	5583	Knife (stationary) Holder Regulating Lever Indicator, obsolete.....
42176	5583	Knife (stationary) Holder Regulating Lever Friction Washer.....
42177	5583	Knife (stationary) Holder Regulating Lever Slide Block.....

Nos. 42178 TO 42180 FOR 42181

42178	—	Presser Foot Body.....
42179	5599	“ “ Chaining-off Finger.....
42180	5599	“ “ “ “ Regulating Lever.....
42181	5599	Presser Foot (spring hinged) complete for 81-4 Machine, Nos. 104c, 464c, 9320, 14058, 42159, 42160 and 42178 to 42180.....
42190	5599	Presser Foot Chaining-off Finger (wide bight) for 42161 and 42265.....

Nos. 42200 TO 42204 FOR 81-4 MACHINE

42200	5583	Knife (stationary) Holder Regulating Lever.....
42201	5583	Knife (stationary) Holder Regulating Lever Latch.....

NO.	PLATE	NAME
42202	5583	Knife (stationary) Holder Regulating Lever Latch Bracket.....
42203	5583	Knife (stationary) Holder Regulating Lever Latch Spring.....
42204	5583	Knife (stationary) Holder Regulating Lever Indicator.....
42242	7396	Thread (looper, left hand) Eyelet.....
*42251	—	Arm with two each 462c and 42253, obsolete.....
42253	5544	Needle Bar Bushing for 42251 and 42484.
42262	5533	Feed (front) Dog, 21 teeth (16 teeth to the inch) for 81-3 Machine.....
42263	—	Presser Foot Plate (front) for 42265.....
42264	—	“ “ Shank for 42265.....
42265	5599	Presser Foot (spring hinged) complete, for 42149 and 42262, for 81-3 Machine, Nos. 233b, 464c, 9320, 14058, 42158 to 42160, 42263, 42264 and 42161.....
42288	5599	Presser Foot Chaining-off Finger, for $\frac{1}{16}$ in. bight, for 42161 and 42265.....
42290	5578	Feed (front) Regulating Screw Stud Washer
42367	5585	Frame Rotary Shaft Front Bearing Oil Pad (braided cotton).....
42418	—	Tension (looper, left hand) Screw Stud 828c with 1560c.....
42418	—	Tension (looper, right hand) Screw Stud 828c with 1560c.....
42461	7396	Presser Foot Plate (front) Hinge Pin for 42265.....
42483	7396	Needle Bar Thread Retainer Disc.....
*42484	—	Arm with two each 462c, 624c, 42253 and 42487.....
42487	7396	Needle Bar Crank Shaft Bushing for 42484
44209	—	Tension (needle thread) Screw Stud 916c with 1560c.....
50562c	7396	Looper (left hand) Lever Connecting Link Hinge Screw.....
54967	5585	Frame Rotary Shaft Flanged Bushing (back) Oil Pad (braided cotton) for 42026.....
56864	5566	Chain Hook (large) for 6439.....
56865	7396	“ “ (small) for 6439.....
66707	7396	Machine Cushion Screw Washer for 42086
120341	5566	Tweezers, curved (Accessories).....
120344	5566	Oiler (copper plated) with 120345 (Accessories).....
120345	5566	Oiler Spout, 5 in. long, for 120344.....

NO.	PLATE	NAME
120440	5566	Screw Driver, (Accessories).....
200383c	7396	Thread Unwinder Spool Rest Rod Set Screw for 202490.....
201018c	7396	Thread Unwinder Spool Rest Set Screw for 225389 and 225395.....
201696j	7396	Thread Unwinder Thread Guide Lock Nut for 225397.....
202490	7165	Thread Unwinder Spool Stand with 200383c for 225397.....
225388	7165	Thread Unwinder Spool Rest Rod for 225397.....
225389	7165	Thread Unwinder Spool Rest (for one spool) with 201018c, for 225397.....
225390	7234	Thread Unwinder Thread Cone Holder, for inverted cones, for 225397.....
225391	7165	Thread Unwinder Thread Guide for 225397
225392	7165	“ “ “ “ Rod with 2088c and 225393, for 225397.....
225393	7396	Thread Unwinder Thread Guide Rod Washer for 225392.....
225395	7165	Thread Unwinder Spool Rest (for two spools) with 201018c, for 225397.....
225397	7165	Thread Unwinder complete for three spools, Nos. 201696j, 202490 225388, 225389, 225392, 225395, three 225391, and wood screws $\frac{7}{8}$ in. No. 12.....

Genuine Singer Needles and their Containers are marked with the Company's Trade Mark "SIMANCO." 1

Needles in Containers marked "For Singer Machines" are not Singer made needles. 2

ILLUSTRATIONS OF PARTS

FOR

MACHINES

Nos. 81-3 and 81-4

From the library of: Diamond Needle Corp

ILLUSTRATIONS OF PARTS
FOR
MACHINES
Nos. 81-3 and 81-4

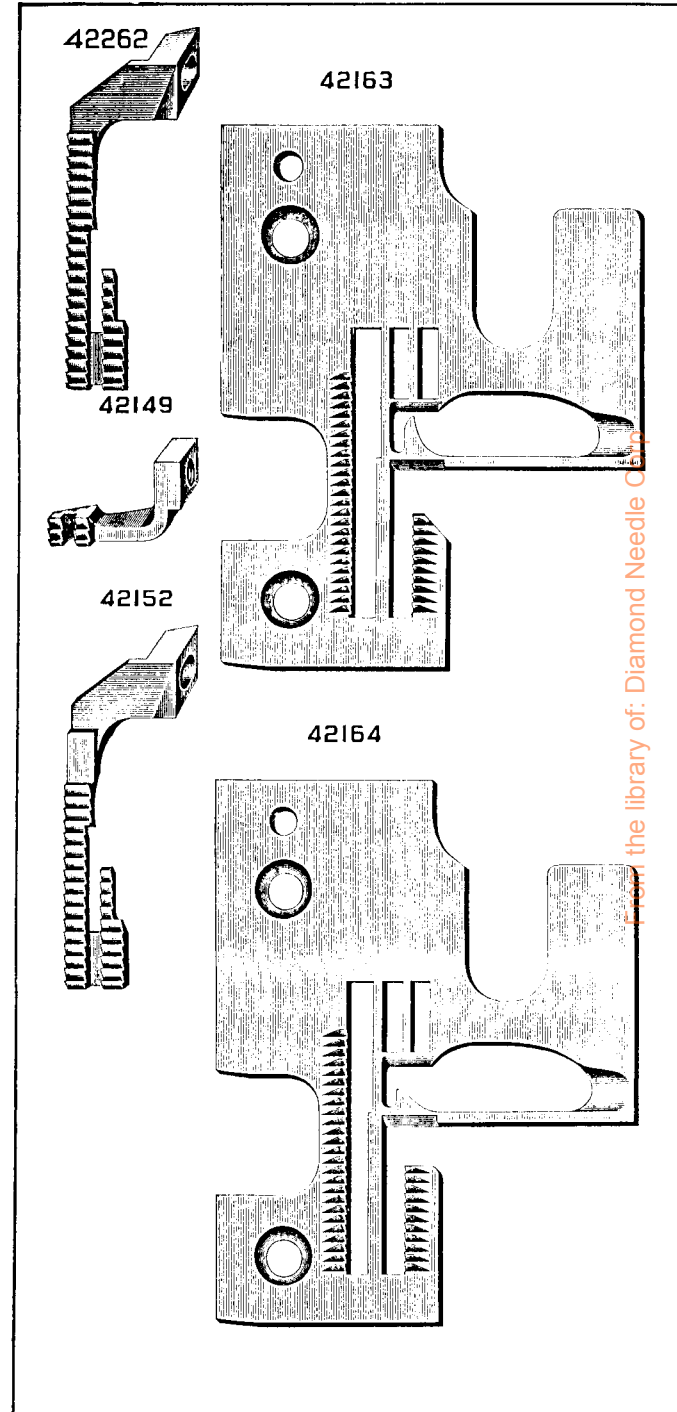


PLATE 5544—FULL SIZE

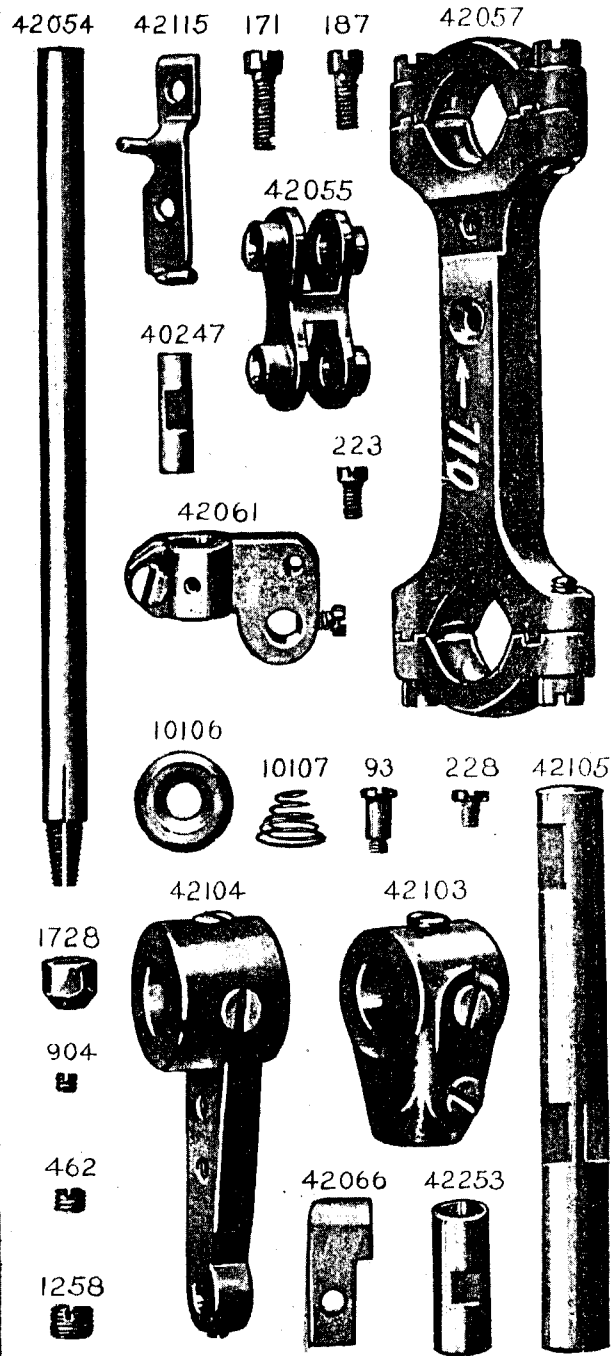
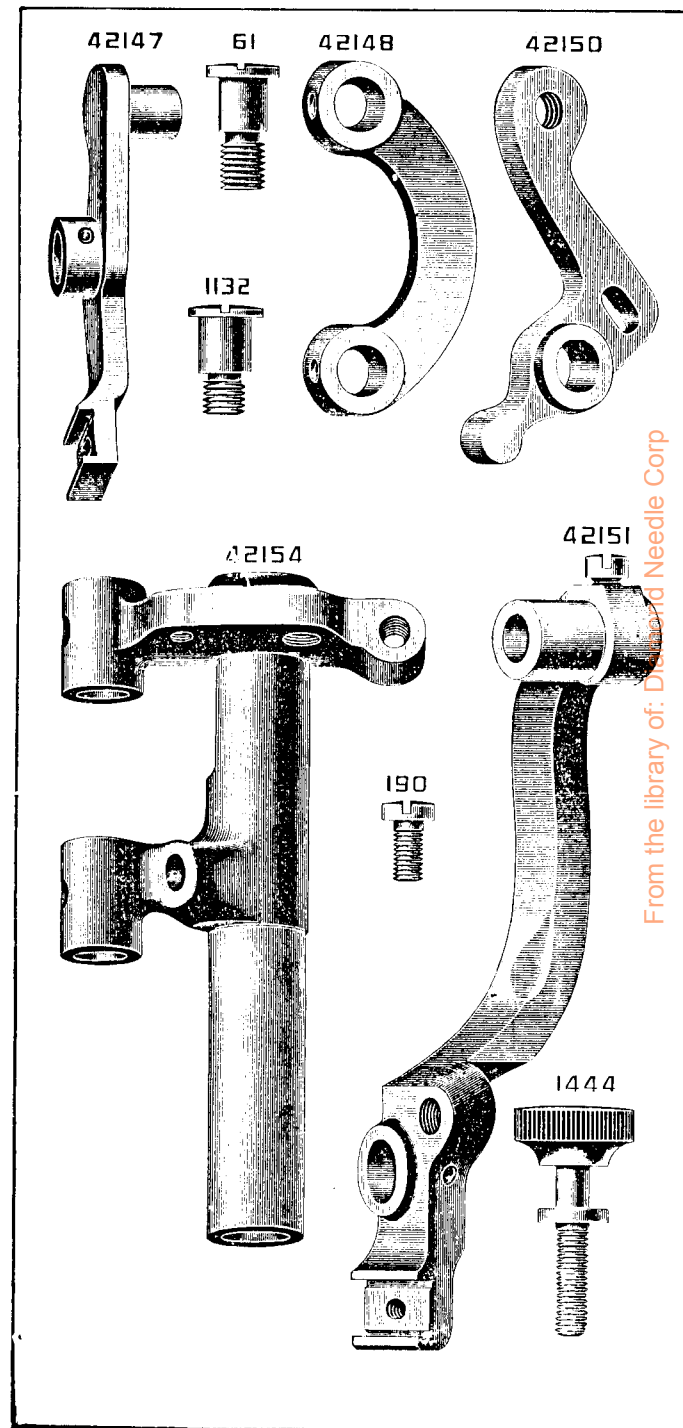


PLATE 5557—FULL SIZE



From the library of: Disston Needle Corp

PLATE 5563—FULL SIZE

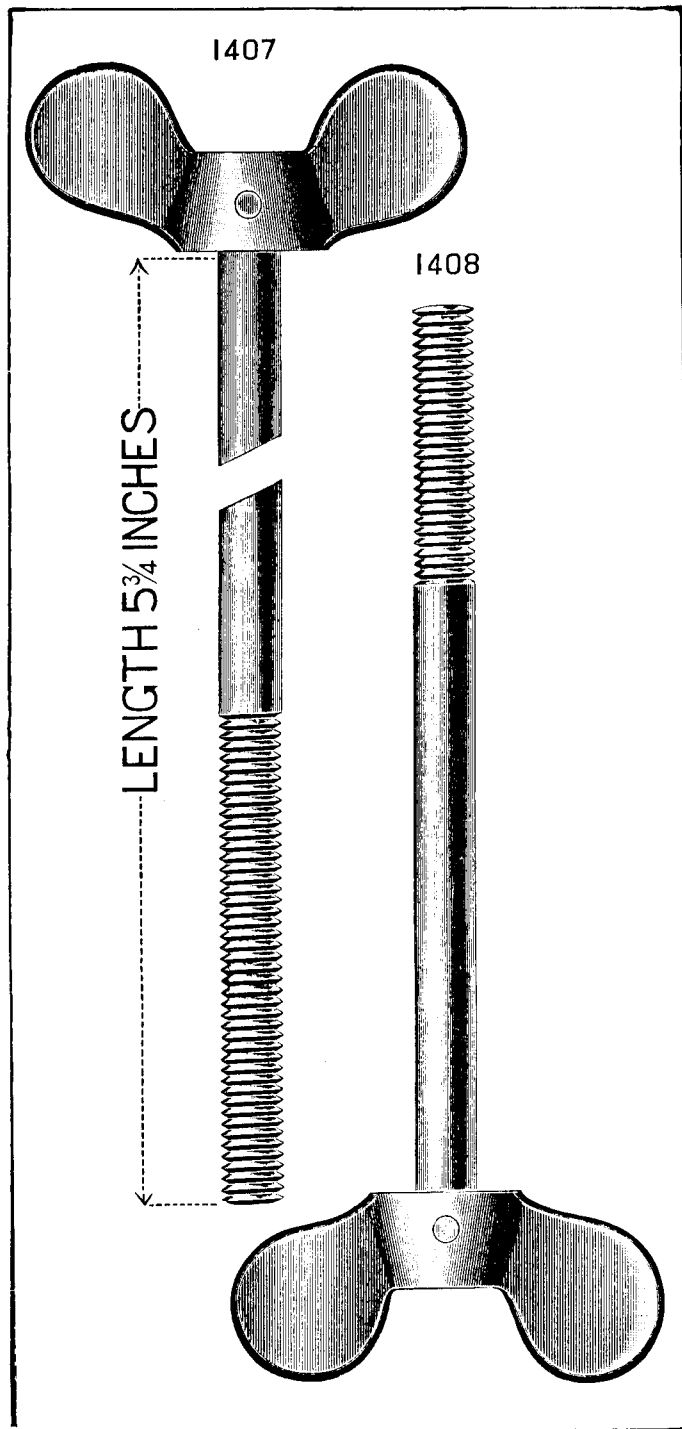


PLATE 5564—ONE-FOURTH SIZE

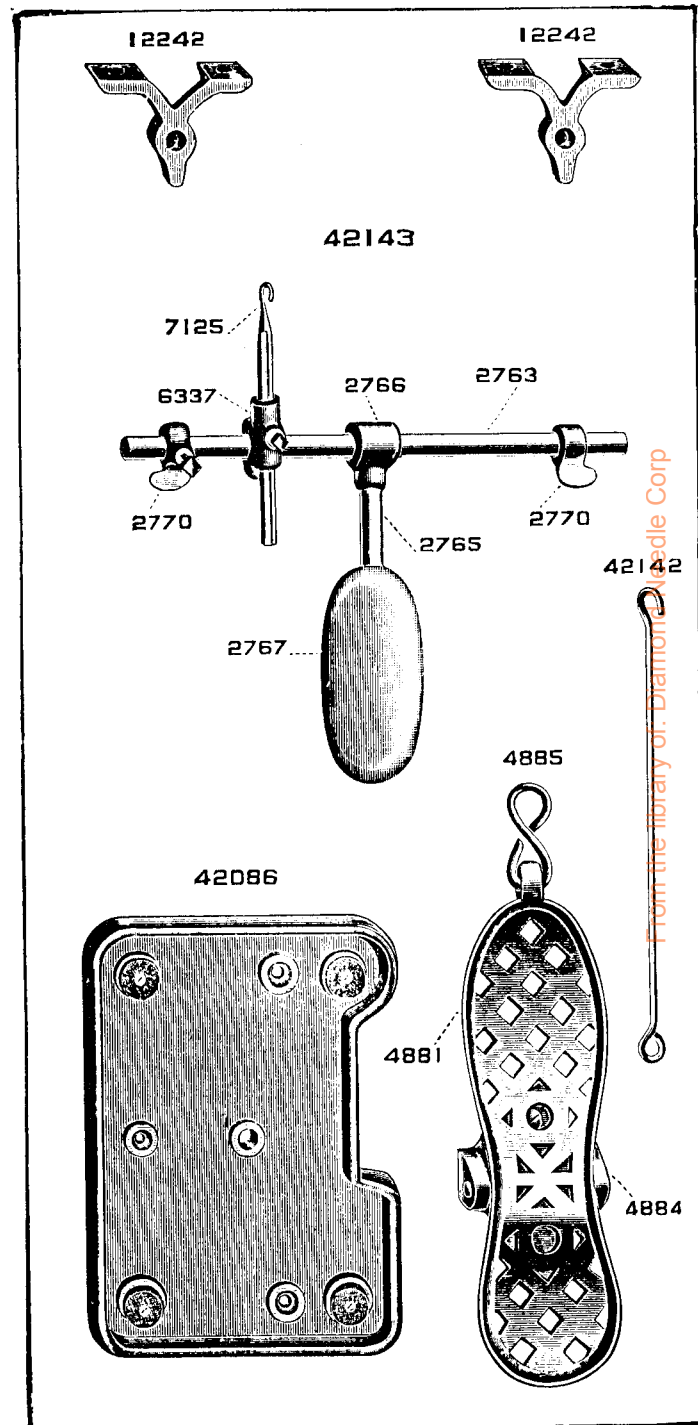


PLATE 5566--ONE-HALF SIZE

120341



120344



120345



120440 42090



8908



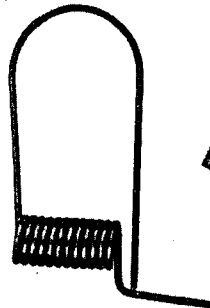
42089



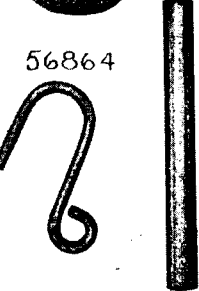
4822



4883



4882



4879

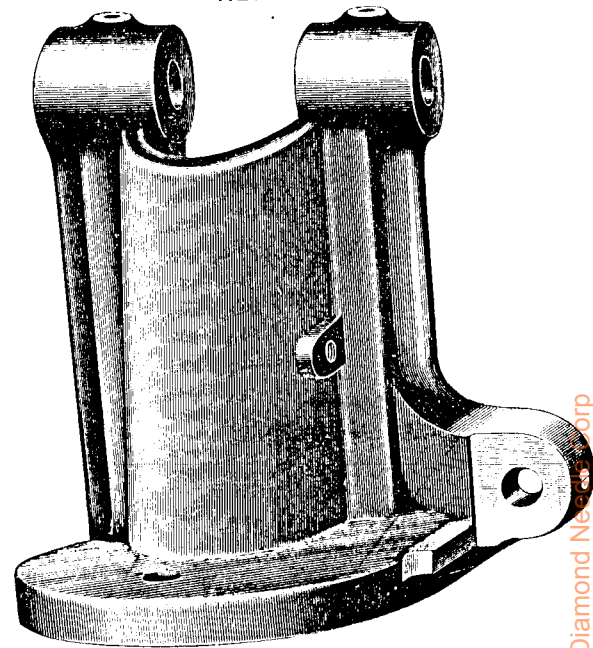


56864



PLATE 5567--ONE-HALF SIZE

41329



From the library of: Diamond Needles Corp

PLATE 5568—ONE-HALF SIZE

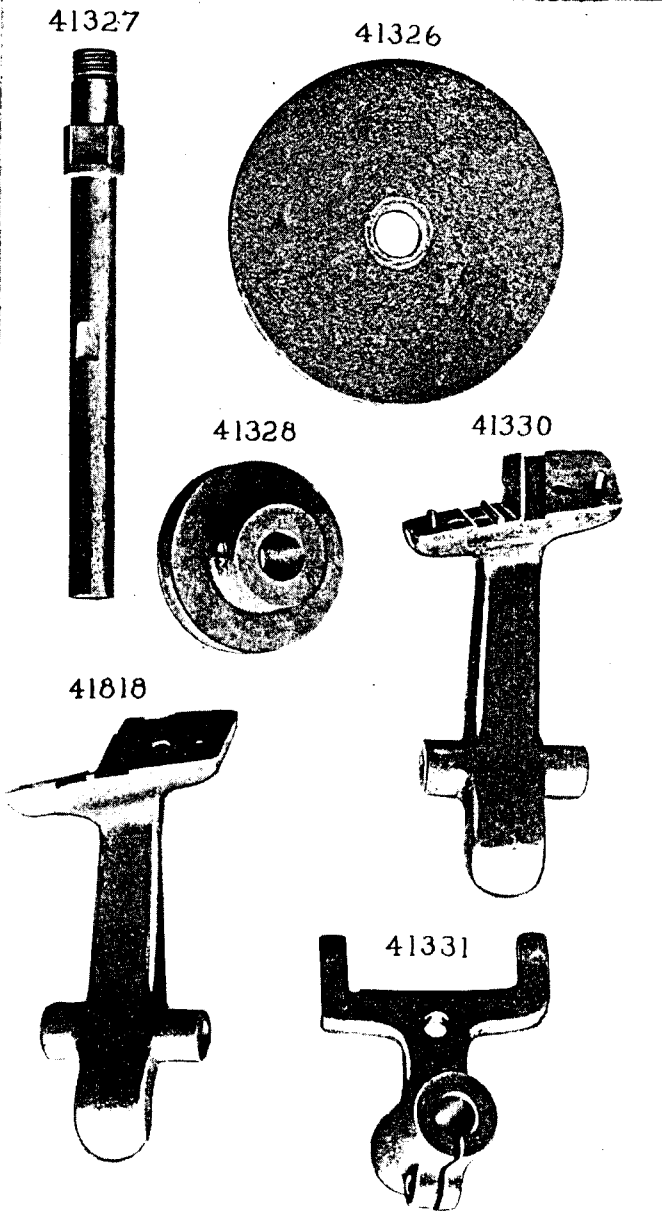
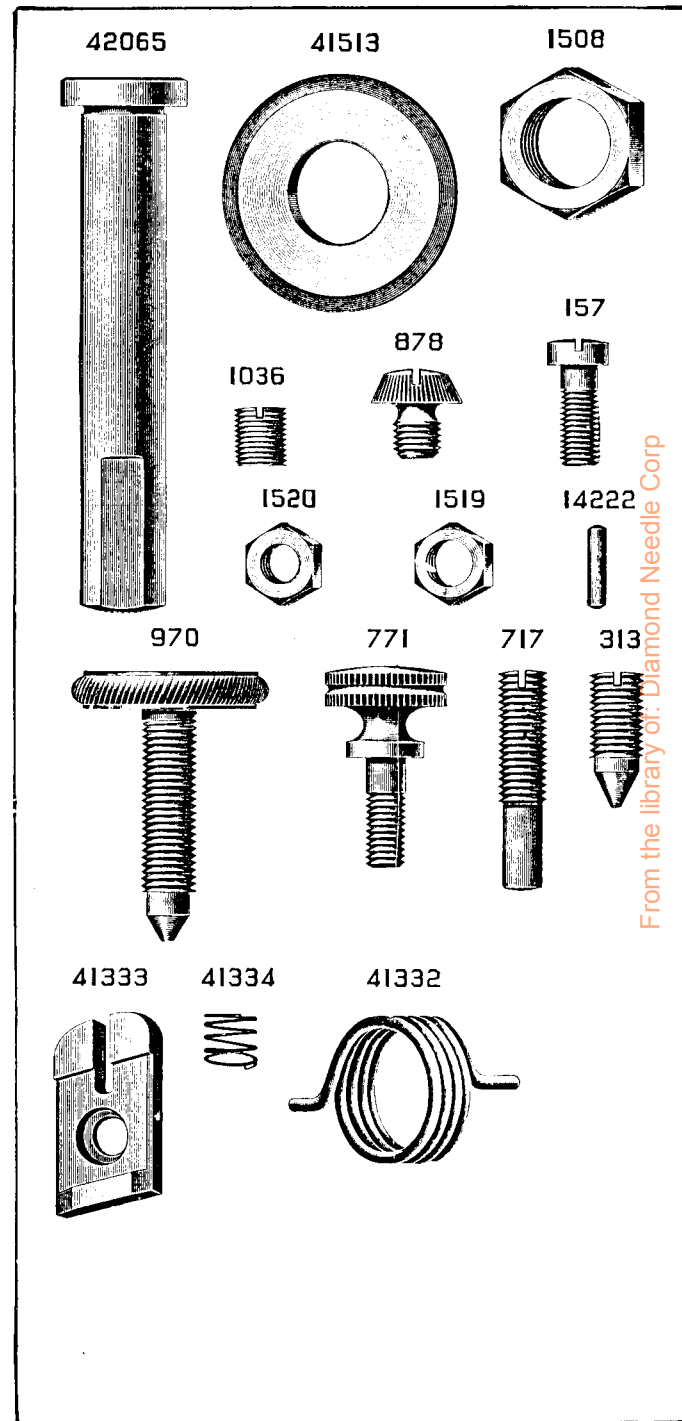


PLATE 5569—FULL SIZE



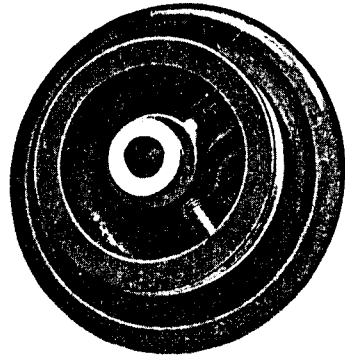
From the library of: Diamond Needle Corp

PLATE 5576—ONE-HALF SIZE

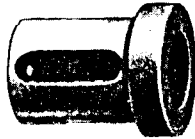
42023



42001



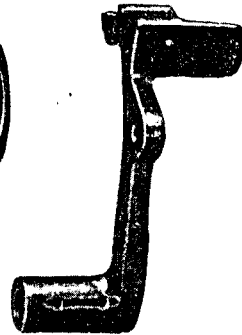
42026



42024



42069



42029

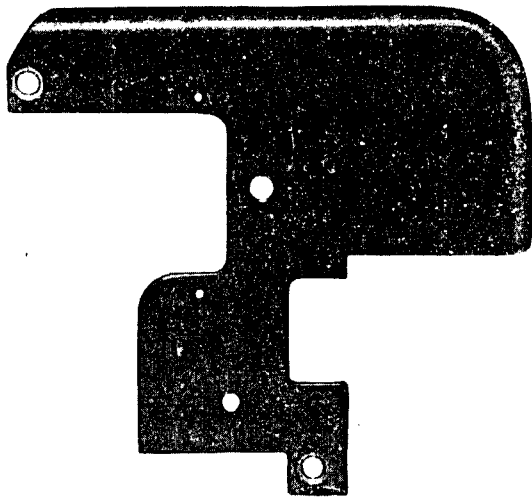
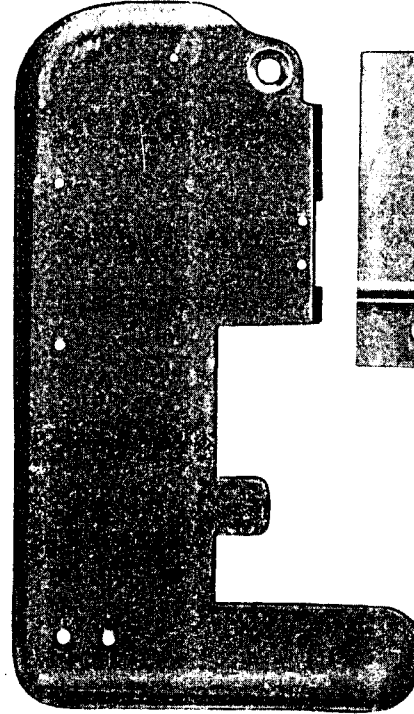
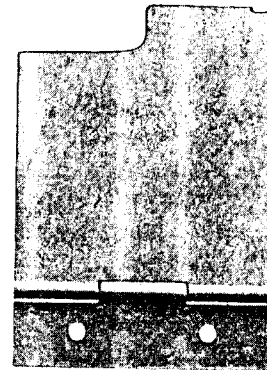


PLATE 5577—ONE-HALF SIZE

42145



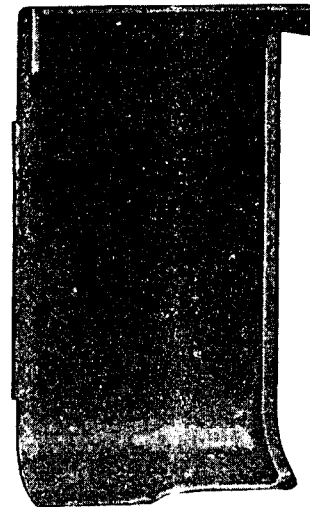
42028



42027



42003



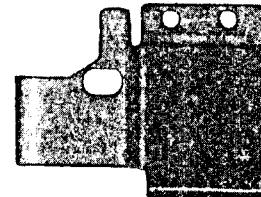
42108



42005



42153



From the library of: Diamond Needle Corp

PLATE 5578—FULL SIZE

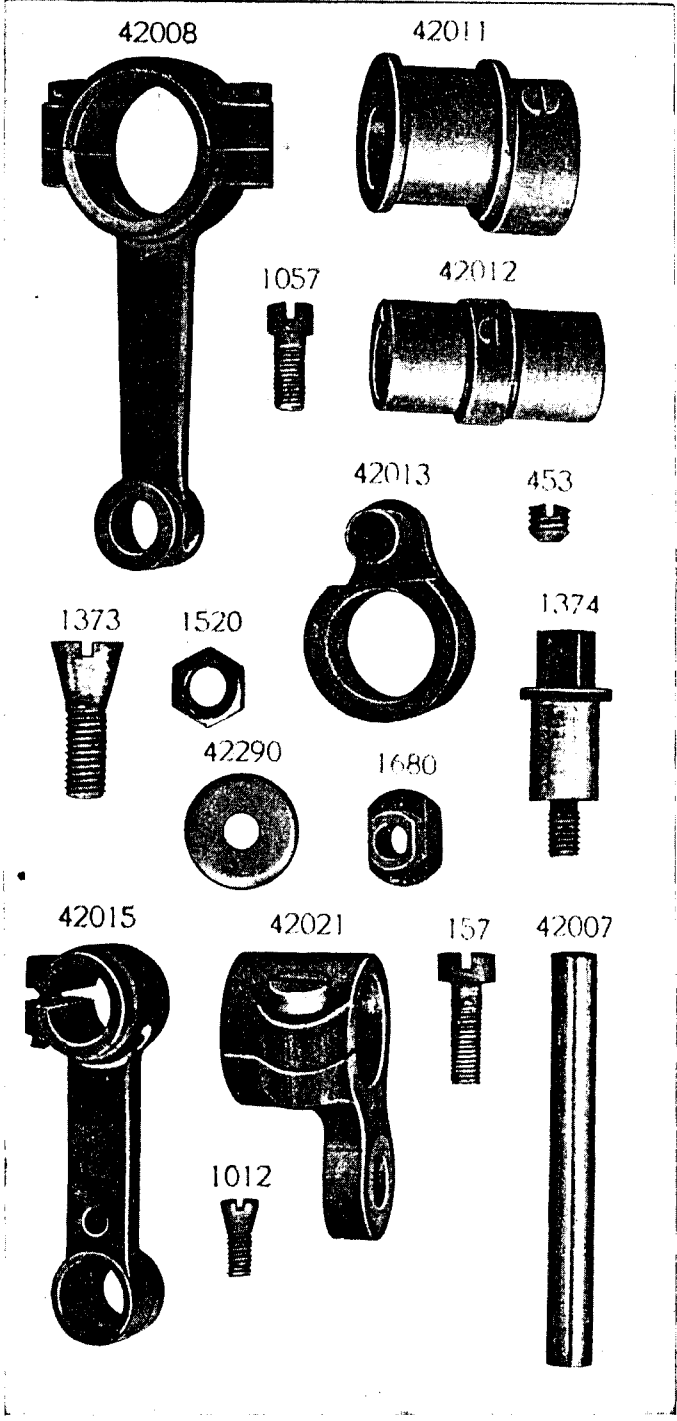
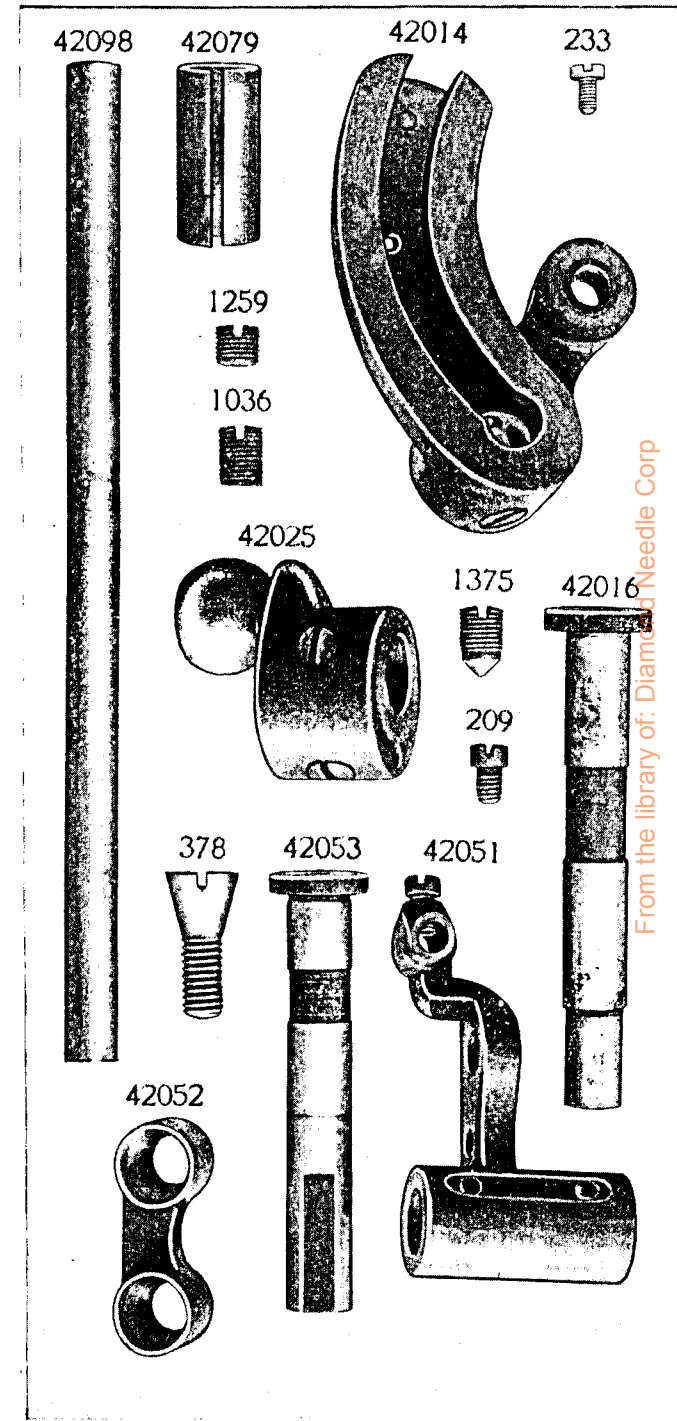


PLATE 5579—FULL SIZE



From the library of: Diamond Needle Corp

PLATE 5580—FULL SIZE

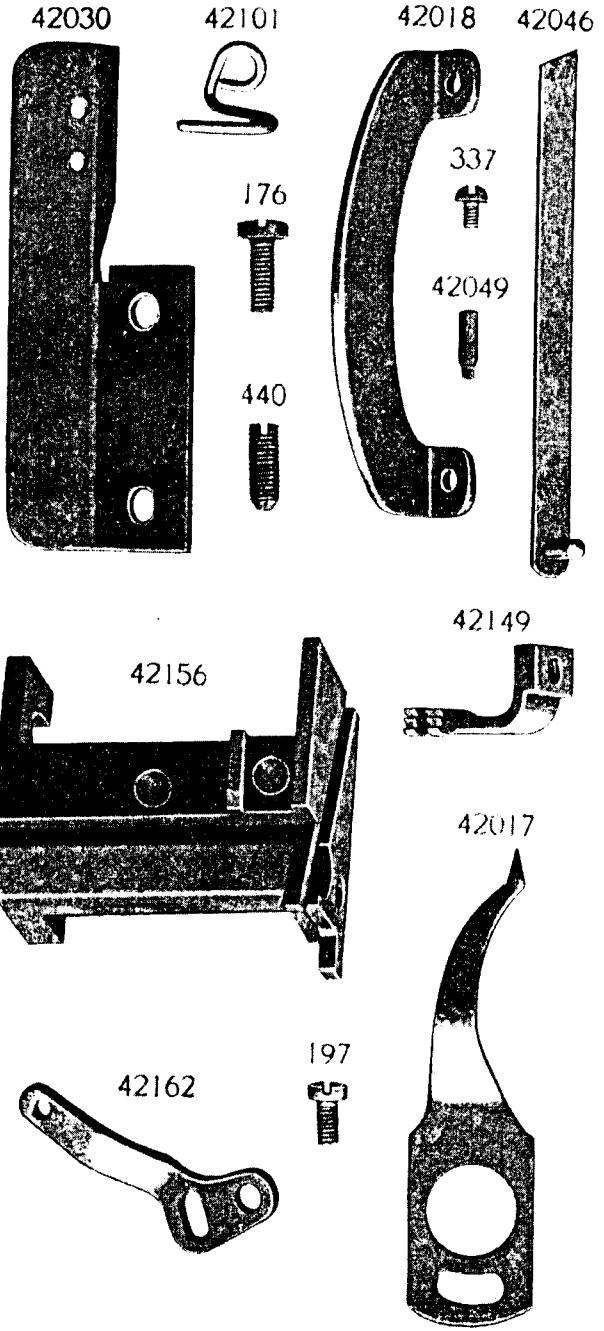
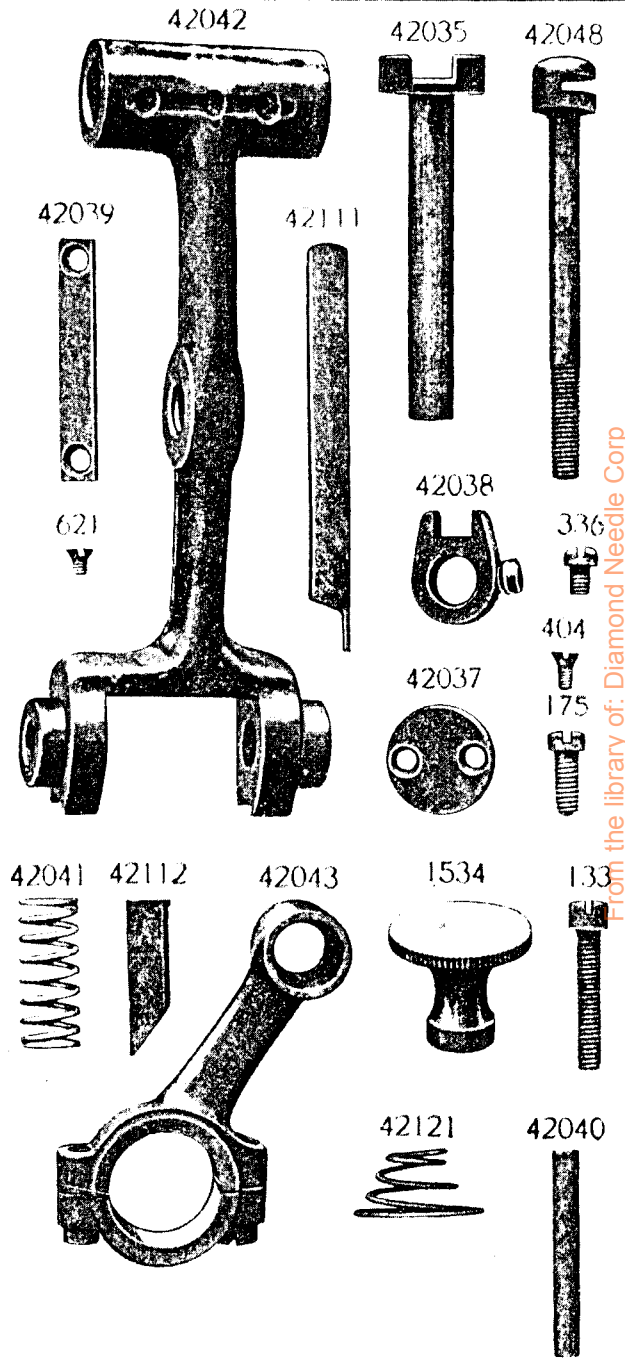


PLATE 5581—FULL SIZE



From the library of: Diamond Needle Corp

PLATE 5582—FULL SIZE

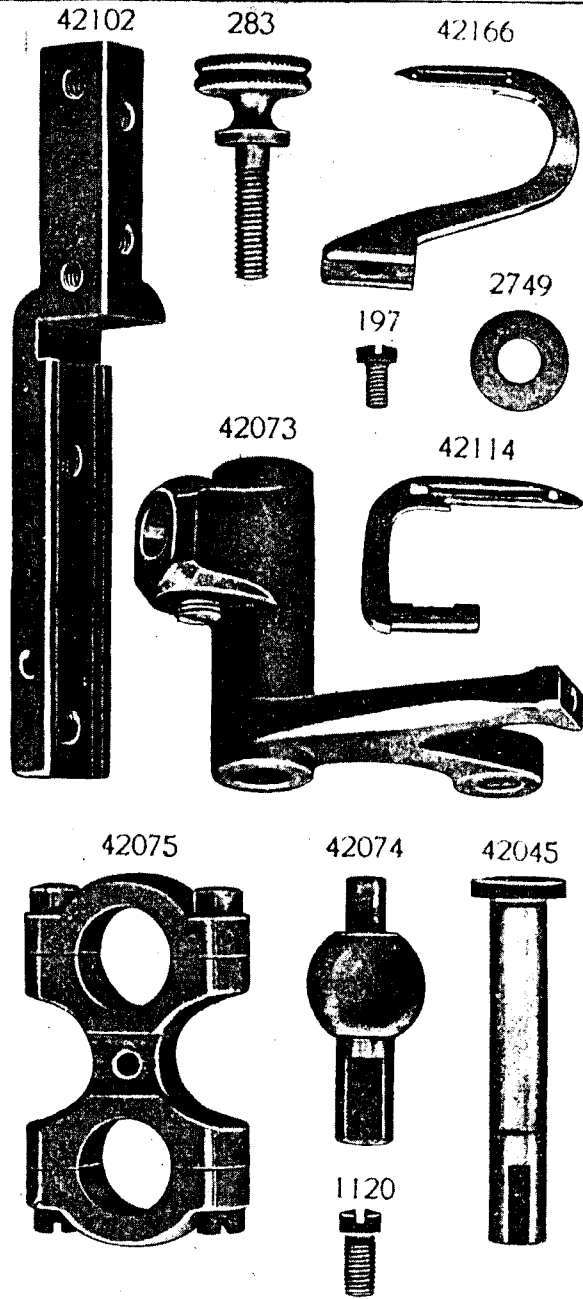
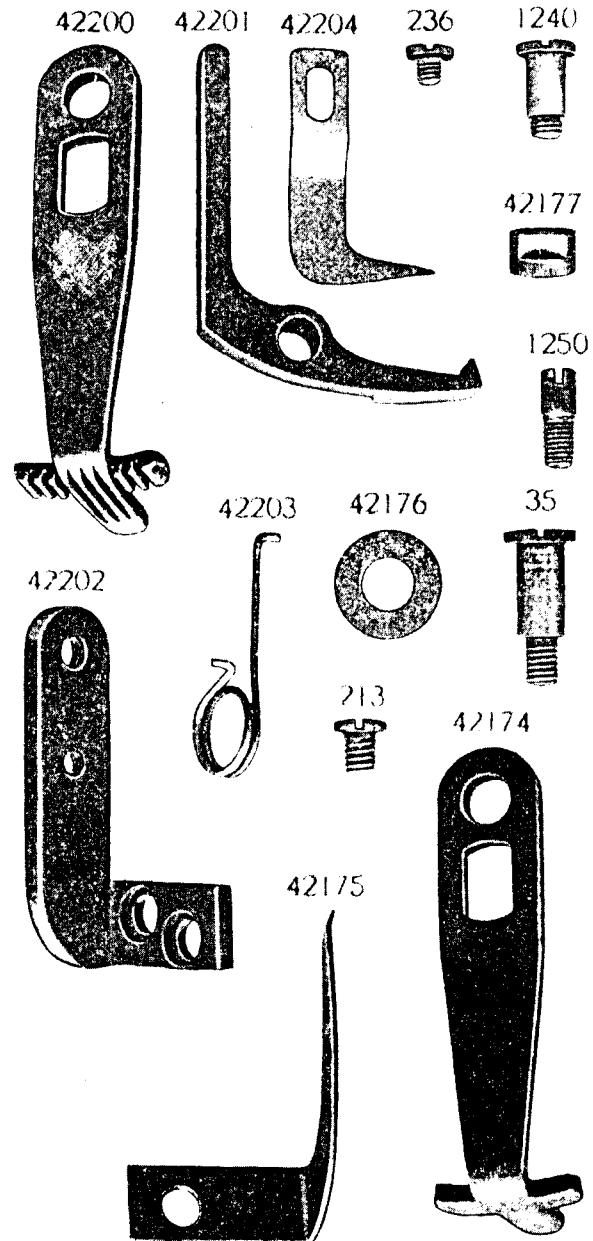


PLATE 5583—FULL SIZE



From the library of: Diamond Needle Corp

PLATE 5584—FULL SIZE

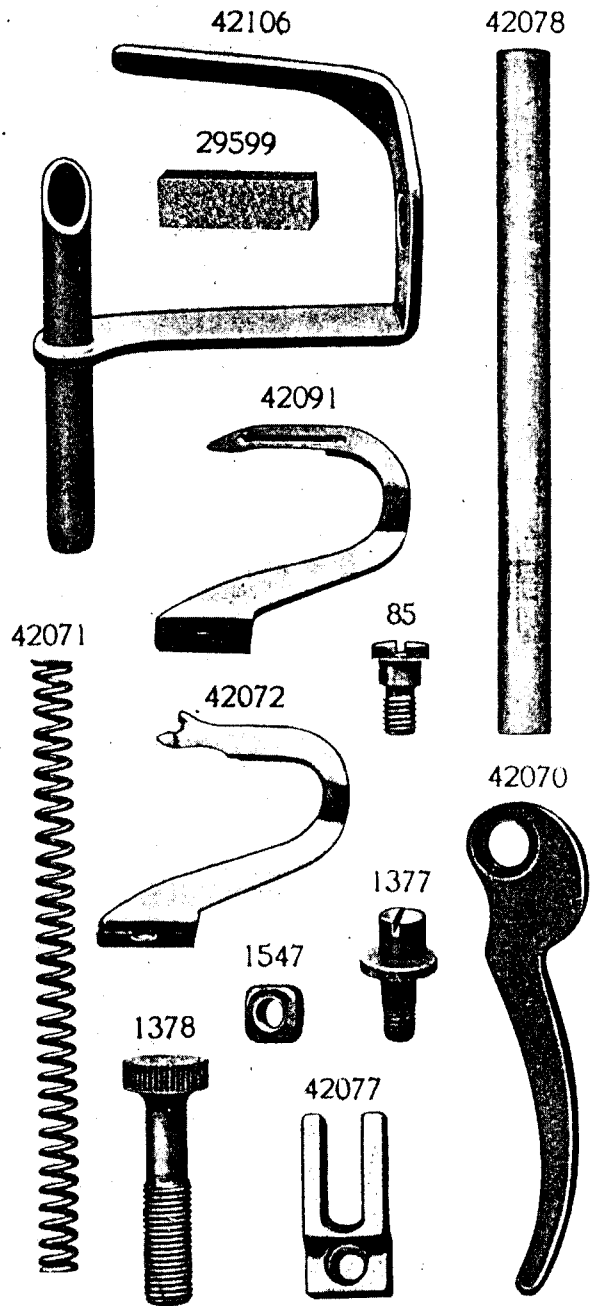
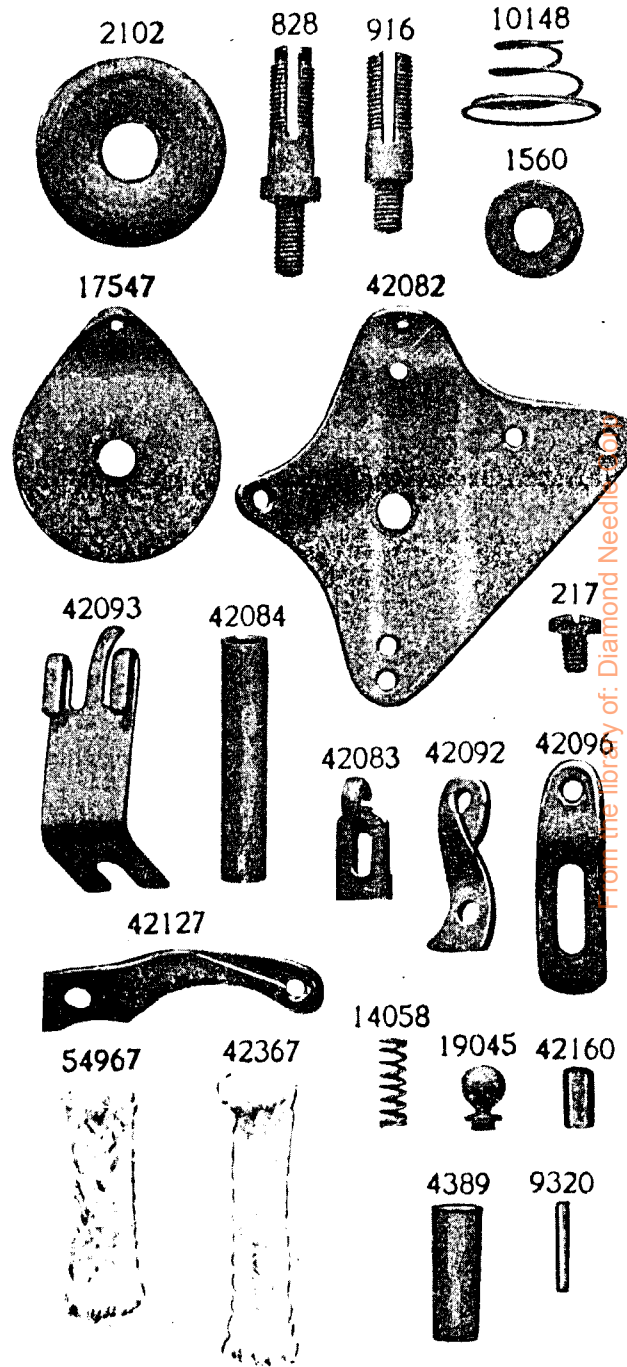


PLATE 5585—FULL SIZE



From the library of: Diamond Needles Co.

PLATE 5587-FULL SIZE

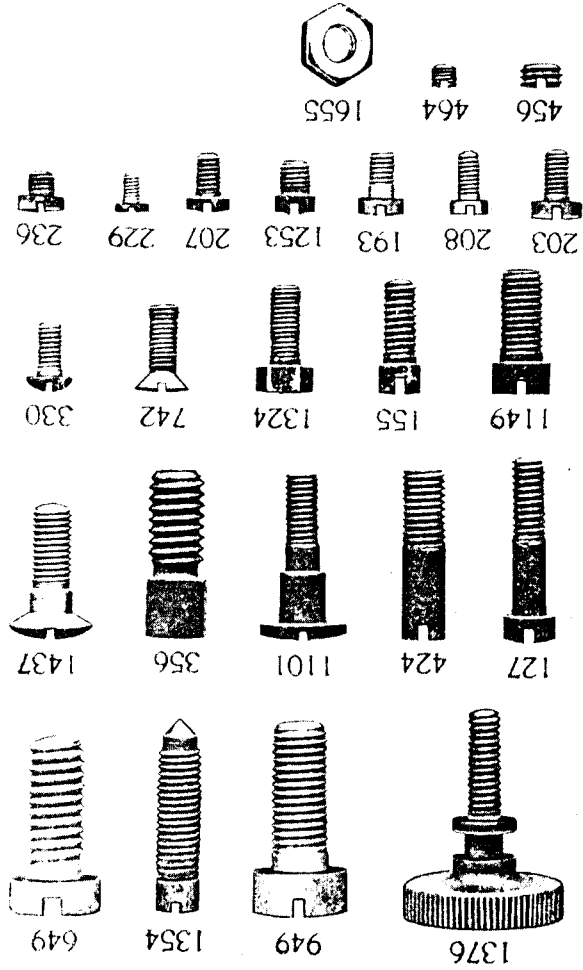


PLATE 5586-FULL SIZE



From the library of: Diamond Needle Corp.

PLATE 7396-FULL SIZE

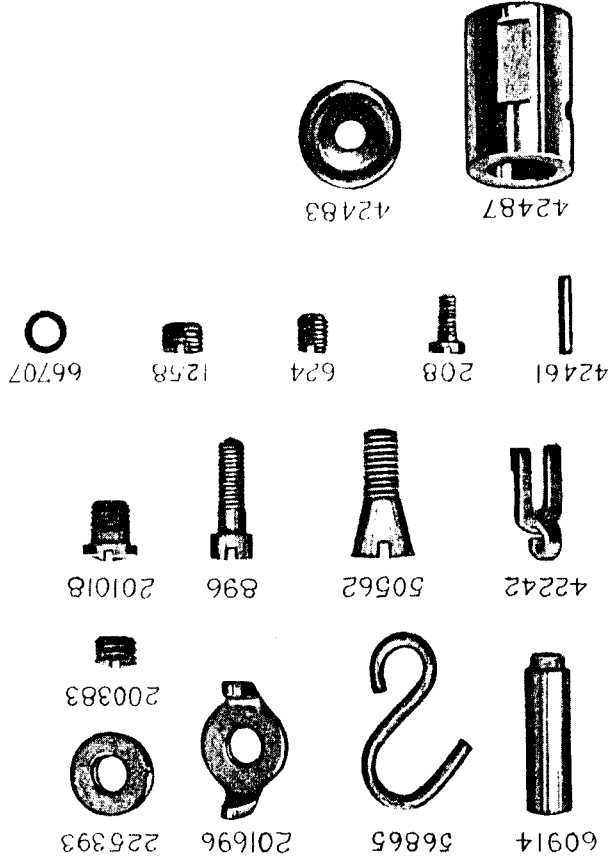
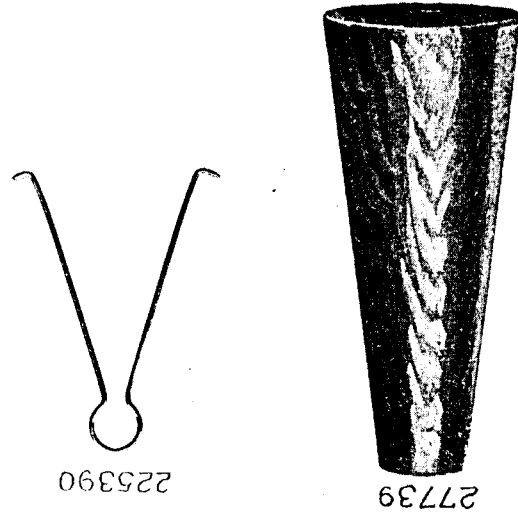


PLATE 7234-ONE-HALF SIZE



From the library of: Diamond Needle Corp